



WORLD KARATE FEDERATION PARA KARATE KATA COMPETITION RULES

Valid from 1.1.2024

CONTENT

ARTICLE 1: PARA KARATE KATA COMPETITION	- 3 -
ARTICLE 2: DISCIPLINE, CATEGORIES AND SPORT CLASSES	- 3 -
ARTICLE 3: KATA COMPETITION AREA	- 5 -
ARTICLE 4: OFFICIAL DRESS AND EQUIPMENT	- 7 -
ARTICLE 5: ORGANISATION OF KATA COMPETITION	- 13 -
ARTICLE 6: THE JUDGING PANEL	- 16 -
ARTICLE 7: SCORING	- 17 -
ARTICLE 8: OPERATION OF MATCHES	- 20 -
ARTICLE 9: OFFICIAL PROTEST	- 21 -
ARTICLE 10: LOCAL ADAPTATION OF RULES	- 24 -
ARTICLE 11. REGISTRATION AND ACCREDITATION OF ATHLETES	- 25 -
ARTICLE 12 ANTI-DOPING AND DOPING CONTROL	- 26 -
APPENDIX 1: OFFICIAL KATA LIST	- 27 -
APPENDIX 2: KATA PROTEST FORM	- 28 -

ARTICLE 1: PARA KARATE KATA COMPETITION

- 1.1 Para Karate is the modality of Karate adapted for Athletes with disabilities. The Para Karate Kata Competition Rules and Regulations have been formulated to preserve Athlete safety, as well as to promote fair competition by means of a transparent and consistent set of standards. These rules are applicable to and must be followed by all Athletes, Coaches, Classification Personnel, Judges, and other Support Personnel who organize and/or participate in any WKF-recognized Para Karate Competition.
- 1.2 The following Rules and Regulations are mandatory for all WKF Para Karate events, as well as for other WKF recognized competitions. Any competition that does not follow the standards of these sets of Rules cannot be recognized as a WKF Para Karate Competition.

ARTICLE 2: DISCIPLINE, CATEGORIES AND SPORT CLASSES

2.1 DISCIPLINES AND OVERALL CATEGORIES

- 2.1.1 In Para Karate competitions, Individual Kata only is performed. There are three general Categories for Individual Kata in Para Karate:
 - a. Visually Impaired Athletes (K10)
 - b. Intellectually Impaired Athletes - Athletes with IQ less than 75 (K21)
- Athletes with Down Syndrome (K22)
 - c. Physically Impaired Athletes – Wheelchair users (K30)
- 2.1.2 These categories are divided into Sport Classes, according to functional classification of the Athlete's disability (as described in the WKF Para Karate Classification Rules), and a Compensation Score in the form of Extra Points is given according to the degree of Impairment.
- 2.1.3 Athletes with more than one type of impairment will be allowed to compete only in one sport class during the championships. Athletes will be classified strictly according to the impairment criteria of the category in which they are registered.
- 2.1.4 Classification in Para Karate consists of allocation of the sport class, classification status, and score compensation system by means of Extra Points, which are issued to an Athlete in K10 and K30 Sport Classes according to the influence of his or her particular impairment when performing the Kata. This limitation in performance will be assessed by expert WKF Classifiers during the Classification Session. In K10 and K30 Sport Classes, the Classification Panel will give the Athlete a Compensation Score that will later be added to the Judges' Score, as explained further in the Scoring section.

(For more information on Classification, please refer to the WKF Para Karate Classification Rules)

2.2 PARA KARATE SPORT CLASSES

- 2.2.1 Sport Classes are competition subcategories that are divided according to the type of disability, for the Athlete to compete in a Class that best allows for fair representation according to his/her impairment, while allowing for the Athlete to express his/her maximum athletic and technical potential. WKF Sport Classes are as follows, divided by age and gender (male and female):

Sport Classes	Senior: 8 Sport Classes	
Kata ind. for athletes with Visual Impairment	Male	+16
	K10	
	Female	+16
	K10	
Blindfolds are required for all Visually Impaired Athletes during the kata performance. K10 classes will perform the Kata standing up.		

Kata ind. for athletes with Intellectual Impairment	Male	+16
	K21	
	K22	
	Female	+16
	K21	
	K22	
K21 and K22 classes can repeat one kata in each round of competition. The kata must be performed standing up.		

Kata ind. for athletes with Physical Impairment	Male	+16
	K30	
	Female	+16
	K30	
Class K30 will compete using Wheelchairs.		

2.3 PARA KARATE ELIGIBILITY

2.3.1 Age

2.3.1.1 Allocation of age category is determined by the age of the competitor on the first day of competition of the event.

2.3.1.2 Para-karate athletes in the senior categories must be at least 16 years old.

2.3.2 NF Quota per Event

2.3.2.1 Each National Federation at the Para-karate World Championships is limited to 3 competitors per sport class.

2.3.2.2 Multi-sport Events like the Global Games may apply other criteria, to be defined in their respective Qualification System.

2.3.3 Nationality

2.3.3.1 With the following exceptions, only Nationals of a country may take part in the World Championships and WKF official events representing their country.

2.3.3.2 As a general rule, a competitor who has represented one country in a WKF official event or World Championships cannot represent another country at an official WKF event or at a World Championships.

2.3.3.3 Nevertheless, if a competitor who has taken part in one of those events obtains by marriage the nationality of the spouse, he or she may represent the spouse's country.

2.3.3.4 A competitor who possesses dual nationality (i.e. one by virtue of the law of one country, the

other by virtue of the law of another country) may only represent one or another country as the competitor in question selects. Once having represented both countries, WKF EC approval will be necessary for a further change, following a reasoned written demand by the relevant NF to the WKF President.

- 2.3.3.5 A competitor may represent the country of his birth and of which the competitor is a National unless he opts to take the nationality of his father or mother.
- 2.3.3.6 A naturalized competitor (or one who has changed his nationality by naturalization) may not participate in the World Championships representing his new country until three years after his naturalization. The period following naturalization may be reduced or even cancelled with the agreement of the two NFs concerned and the final approval of the WKF EC.
- 2.3.3.7 If an associated State, Province or Overseas Department, a Country or former Colony acquires independence, or a country incorporated within another country by reason of a change of border, or if a new NF is recognized by WKF, a competitor may continue to represent the country to which he or she belongs or belonged. However, he may choose to represent his new country or his new NF in the World Championships.
- 2.3.3.8 In instances where the WKF has recognized more than 1 (one) NF for which members hold the same national passport (i.e., for a country and its protectorates with separate governing national sporting bodies), the competitor may only compete for the NF of residence, provided that has not yet competed for the other (s) NF(s) in WKF official events.
- 2.3.3.9 In order to get the transfer to another NF of which the nationals hold the same passport, it will be enough with the agreement between the 2 (two) NFs involved to confirm any change to the WKF concerning the status of a competitor. In case of disagreement between the NF's, any change will have to be approved by the WKF EC. In this case, the competitor through the NF concerned will have to prove to the WKF's satisfaction the residency in the territory governed by the other NF, or failing this, the relationship with the other NF that makes the change justifiable.
- 2.3.3.10 Once the competitor has represented all the NFs involved, the WKF EC approval will be necessary for any further change.

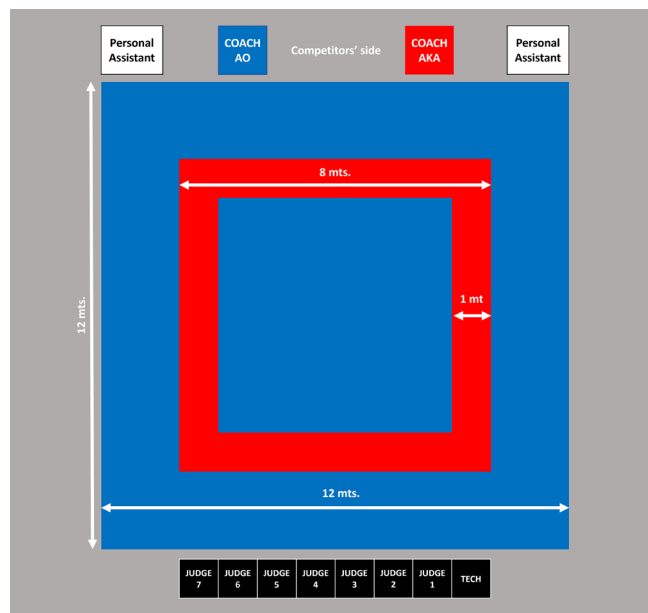
2.3.4 **Eligible impairment**

The WKF Para-Karate classification panel evaluates the required level of impairment for eligibility based on the Para-Karate Classification Rules.

ARTICLE 3: KATA COMPETITION AREA

- 3.1 The competition area will be a WKF Approved matted square, with sides of eight metres (measured from the outside). There will be a clear safety area of two metres on each side. Where an elevated competition area is used, the safety area should be of an additional one (1) metre on each side.
- 3.2 The whole Competition Area must be without any type of obstacle that hinders movement.
- 3.3 Judges and the Software Technician are placed side by side at a table at the end of the mat facing the Competitors with the Chief Judge (Judge no.1) closest to the Software Technician who sits at the far end of the table.
- 3.4 All Judges and the Software Technician are placed in line in front of the official table, preferably behind a single table.

- 3.5 There must be no advertisement hoardings, walls, pillars etc. within one metre of the safety area's outer perimeter.
- 3.6 Coaches and personal assistants will be seated outside the safety area, on their respective sides of the TATAMI towards the official table. Where the TATAMI area is elevated, the Coaches will be placed outside the elevated area behind their respective Competitors.
- 3.7 Should medal bouts or competitions take place on a platform, or because of the athletes' safety, the Accompanying Person (Coach or Assistant, if necessary) will bring the Athletes onto the platform via steps or a ramp and take them to the competition perimeter. After the bout, the Athletes will be taken back to the exit of the platform and guided from the platform by the Accompanying Person. In case the Athlete is guided to the platform only by the Coach who stays sitting on the platform next to the Athlete, the Coach's chair next to the platform remains empty.



ARTICLE 4: OFFICIAL DRESS AND EQUIPMENT

4.1 Judges

4.1.1 The official uniform will be as follows:

- a) A single-breasted navy-blue blazer (colour code 19-4023 TPX).
- b) Plain light-grey trousers without turn-ups (colour code 18-0201 TPX).
- c) A white shirt with short sleeves.
- d) Plain dark blue or black socks and black slip-on shoes for use on the match area.
- e) An official tie, worn without tiepin.
- f) A black whistle with a discreet white cord for the whistle.

4.1.2 The following additions to attire are allowed:

- a) A plain wedding band.
- b) Voluntary religious headwear approved by the WKF.
- c) A hairclip and discreet earrings.
- d) Hair must be worn off the shoulders and make-up must be discreet.
- e) Heels of more than 4 cm may not be worn with the uniform.

4.1.3 Judges must wear the official uniform at all tournaments, briefings, and courses.

4.1.4 For multisport events where a cross-sport uniform is provided for Judges at the cost of the LOC (local Organising Committee) with the feel & look of the specific event, the official uniform for Judges might be substituted by that common uniform, provided that it is requested in writing to the WKF by the event organiser and formally approved by the WKF.

4.1.5 If the Chief Judge agrees, officials may be allowed to remove their blazers.

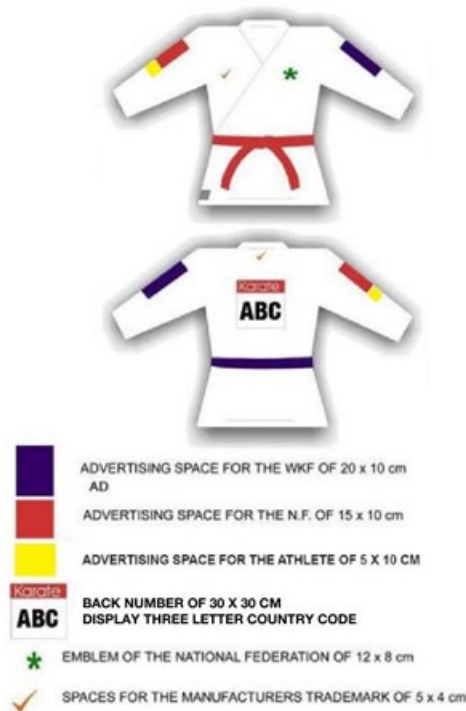
4.1.6 The Referee Commission or Chief Referee may refuse the participation of any official who does not comply with this regulation.

4.2 Competitors

4.2.1 Competitors must wear a white, WKF approved, Karategi without stripes, piping, or personal embroidery other than specifically allowed by the WKF EC and specified in the bulletin for the competition.

- a) For all official WKF events, the Karategi must have embroidered brands on the shoulders in respectively red or blue according to drawing. Exceptions are incumbent World Champions, whom must instead of the red or blue have embroidered brands in gold.
- b) The national emblem or flag of the country will be worn on the left breast of the jacket and may not exceed an overall size of 12cm by 8cm.
- c) Only the original manufacturer's labels can be displayed on the Karategi.
- d) In addition, identification issued by the Organising Committee will be worn on the back.
- e) Competitors must wear a WKF Approved red belt (AKA) or blue belt (AO) as allocated by the draw, without any personal embroideries or advertising or markings other than the customary label from the manufacturer. Belts of grade cannot be worn during the performance.

- f) The red and blue belts must be around five centimetres wide and of a length sufficient to allow fifteen centimetres free on each side of the knot but not longer than three-quarters thigh length.
- g) The jacket, when tightened around the waist with the belt, must be of a minimum length that covers the hips, but must not be more than three-quarters thigh length.
- h) Female Competitors can wear a plain white T-shirt beneath the Karate jacket.
- i) Jackets without ties cannot be used. The jacket ties holding the jacket in place must be tied at the beginning of the performance.
- j) The maximum length of the jacket sleeves must be no longer than the bend of the wrist and no shorter than halfway down the forearm.
- k) Jacket sleeves may not be rolled up.
- l) The trousers must be long enough to cover at least two thirds of the shin and must not reach below the anklebone. Trousers legs may not be rolled up.



- 4.2.2 The WKF Executive Committee may authorise the display of special labels or trademarks of approved sponsors.
- 4.2.3 Competitors may use WKF approved religiously mandated headwear: a black plain fabric head scarf covering the hair, but not the neck or throat area.
 - a) Competitors must have short fingernails and must not wear metallic or other objects. The use of metallic teeth braces must be approved by the Referee and the Tournament Doctor. The Competitor accepts full responsibility for any injury.
 - b) Prescription Sports Glasses are allowed for Intellectually impaired Athletes and Wheelchair Athletes only. All glasses must be secured to the head with a strap and must remain firmly in place at all times during the performance, without falling off. The use of sports glasses must be approved by the Para Karate Commission. Contact lenses may be worn at the Competitor's own risk.

- c) Competitors must keep their hair clean and cut to a length that does not obstruct the performance. Hachimaki (headband) will not be allowed.
 - d) Hair slides are prohibited, as are metal hairgrips. Ribbons, beads and other decorations are prohibited. One or two discreet rubber bands on a single ponytail is permitted.
 - e) The wearing of any unauthorised apparel, clothing or equipment is forbidden.
- 4.2.4 The use of bandages, padding, or supports because of injury, must be approved by the Referee on the advice of the Tournament Doctor.
- 4.2.5 Competitors that appear at the competition area with irregular Karategi will be given two minutes to correct the attire, and the Coach will automatically lose the right to coach the performance.

4.3 Coaches and personal assistants

- 4.3.1 Coaches and personal assistants shall at all times during the tournament, wear the official tracksuit of their National Federation and display their official identification with the exception of bouts for medals of official WKF events, where male Coaches and personal assistants are required to wear a dark suit, shirt and tie, while female Coaches may choose to wear a dress, pantsuit or a combination of jacket and skirt in dark colours.
- 4.3.2 The following additions to attire are allowed:
- a) A plain wedding band
 - b) Voluntary religious headwear approved by the WKF
- 4.3.3 The Chief Referee can allow Coaches to instead of the track suit jacket to use the federations official team t-shirt or a plain coloured t-shirt without writing or logos.
- 4.3.4 In any unforeseen incident, such as additional Classification testing, Doping Control, fire or other need for emergency evacuation, the national Coaches are directly responsible for safe removal of their Athletes.
- 4.3.3 Should bouts or competitions take place on a platform, the competitor may be guided to the platform by the Coach or the Assistant if it is necessary.
- 4.3.4 Coaches and Competitors' Assistants have to ensure that the athlete is accompanied throughout the competition.
- 4.3.5 Coaches and Competitors' Assistants have to ensure that any medication that may be required is accessible.

4.4 Athletes' equipment and medical service animals

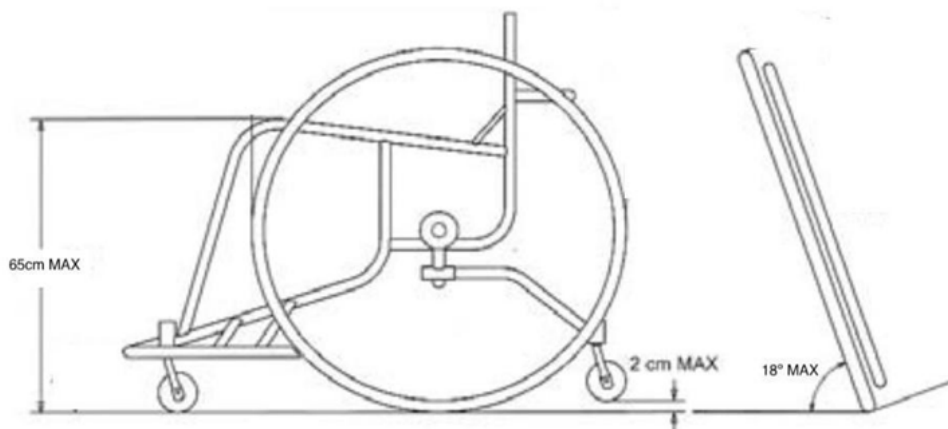
- 4.4.1 The International Paralympic Policy (IPC) on Sports Equipment (outlined in the IPC Handbook) applies to all recognized competitions. The approved equipment should offer similar conditions between Athletes in the same Sport Class (as well as offering safety, in some cases), to allow a fair comparison between the Athletes and their actual physical-technical abilities.
- 4.4.2 The accepted accessory equipment are blindfolds (class K10), sports glasses (classes K21, K22 and K30), and in wheelchairs leg straps (class K30). Prostheses, canes, crutches, and other equipment used for physical support are not allowed in Competition and Classification.

4.4.3 Blindfolds

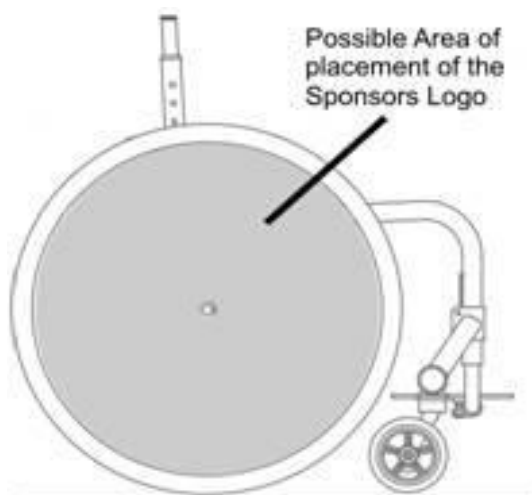
- 4.4.3.1 Athletes of the Visually Impaired Class (K10) are required to wear International Blind Sports Federation (IBSA) approved black-out glasses for blind sports.
- 4.4.3.2 Blindfolds should be of a dark and discrete colour (grey, blue, black) and should not have any logos or markings of sponsors or manufacturers.
- 4.4.3.3 Blindfolds must also remain firmly placed on the Athlete's face and head by means of an adjustable elastic or strap that must not become loose or undone during the performance of the Kata.
- 4.4.3.4 All blindfolds must be approved by the Para Karate Commission during the Classification Session prior to competition.

4.4.4 Wheelchairs

- 4.4.4.1 Wheelchairs used in competition must also be used in the Classification Session. If a different wheelchair is used in competition than in the Classification Session, the Athlete will be disqualified.
- 4.4.5 Straps used in competition must also be used in the Classification Session. If no strap is used in the Classification Session and one is used in competition, or a different strap is used in the Classification Session than in competition, the Athlete will be disqualified.
- 4.4.6 All types of wheelchairs which allow the athletic and undisturbed presentation of a Kata will be allowed. Only the following types and variations are not permitted:
 - a) Walkers.
 - b) Wheelchairs with electric drive support (e.g., electric motors integrated into wheel hubs).
 - c) Electric wheelchairs.
- 4.4.7 Wheelchair features:
 - a) The underside of the footrests must be designed to prevent damage to the tatami.
 - b) One or two anti-tip castor(s) attached to the back of the wheelchair for safety purposes is permitted. They can be attached to either the frame or the rear axle and located at the rear of the wheelchair; castors that frequently or even continuously come into contact with the floor can be added to the wheelchair. The width between castors must be limited to the distance between the inside of the two big wheels. When the Athlete is sitting in the wheelchair in a forward driving position, the maximum permissible distance between the bottom of the anti-tip castor(s) and the tatami is 2 cm. The anti-tip castor(s) must not protrude beyond the vertical plane that touches the rearmost points of the driving wheels. This alignment should be Judged with the wheelchair in its forward driving position.
 - c) Large rear wheels may have a maximum camber of 18 degrees.
 - d) The large wheels may be of any colour, as long as they do not stain or damage the tatami. Tires or castors that mark the tatami are not permitted.
 - e) The maximum height from the floor to the top of the cushion, when a cushion is used, or to the top of the seat platform (when a cushion is not used) must not exceed 65cm.
 - f) There must be one hand rim on each wheel.
 - g) No steering devices or gears are allowed on the wheelchair.



- 4.4.8 Leg straps to fix the legs of Wheelchair Athletes (K30) are allowed. They must be of white colour and without logos and must be made from material that is not elastic or otherwise stretchable. A maximum of three (3) straps may be used; these must be placed between the ankles and the hip. Fixation of the upper body is not allowed.
- 4.4.9 Multiple sponsor logos and advertising may be placed on the main wheels. The logo may take up to the size of the circle formed by the spokes. Both wheels may be used:



- 4.4.10 Any identification, logo, or items that promote or advertise political or religious views, or that provide illegal or false impressions of the sport, are prohibited. Content that disparages the identity or reputation of the competition, the WKF, or of any Local Organizing Commission, Major Games Organizing Committee (such as the International Olympic Committee or the International Paralympic Committee), National Federation or competitor is also strictly forbidden. Advertising of products which harm the integrity of the sport or its Athletes (e.g., tobacco or alcohol) or that violate the WADA Anti-Doping Code or local laws is also prohibited.
- 4.4.11 WKF will have the general discretion to object to any form of advertising which hurts the integrity of the sport, and its Athletes or lends a negative image to the competition. All such cases will be forwarded to the Disciplinary and Legal Commission.
- 4.4.12 Placement of Sponsor Logos or advertisements is prohibited in the following places of the wheelchair:

- a) the backrest
- b) the side guards or armrests
- c) the footplate
- d) the castors
- e) the frame

4.4.5 Service animals

4.4.5.1 Service animals are animals trained to aid people with disabilities and to perform specific functions, such as seeing-eye dogs, or dogs trained to detect seizures or hypoglycemia.

4.4.5.2 Medical service animals are allowed to accompany Athletes within the competition venue, but only those animals trained and certified to detect life-threatening conditions will be allowed at the external perimeter of the Competition Area, where they must remain without causing interference. Service animals may not enter the Competition Area. Therapy animals, emotional-support animals, or pets that are not medical service animals will not be allowed in the Competition Area or its perimeter.

ARTICLE 5: ORGANISATION OF KATA COMPETITION

5.1 General

- 5.1.1 Kata is not a dance or theatrical performance. It must adhere to the traditional values and principles. It must be realistic in fighting terms and display concentration, power, and potential impact in its techniques. It must demonstrate strength, power, and speed, as well as grace, rhythm, and balance.
- 5.1.2 Competitors must at all times follow the instructions given by the Chief Judge.

5.2 Competition formats

- 5.2.1 Groups of 8 Competitors Elimination System is used for Para Karate competition.
- 5.2.2 The Individual Kata competition consists of individual performance in separate male and female divisions.

5.3 Seeding and order of performance

- 5.3.1 For World and Continental Championships, the **four** top ranked Competitors in the WKF World Ranking present as per the day of competition are seeded.
- 5.3.2 The electronic Kata judging system should randomly determine the order of performance within the group after the initial round up to, but excluding, the medal bouts.

5.4 Reporting of kata to be performed

- 5.4.1 It is the sole responsibility of the Coach, or in the absence of a Coach, or the Competitor to ensure that the Kata as notified to the Runner is appropriate for that particular round.
- 5.4.2 Should there be any discrepancy between the number and the name of the kata registered for performance, the number, as per the official WKF Kata list will prevail.

5.5 Failure to appear on time

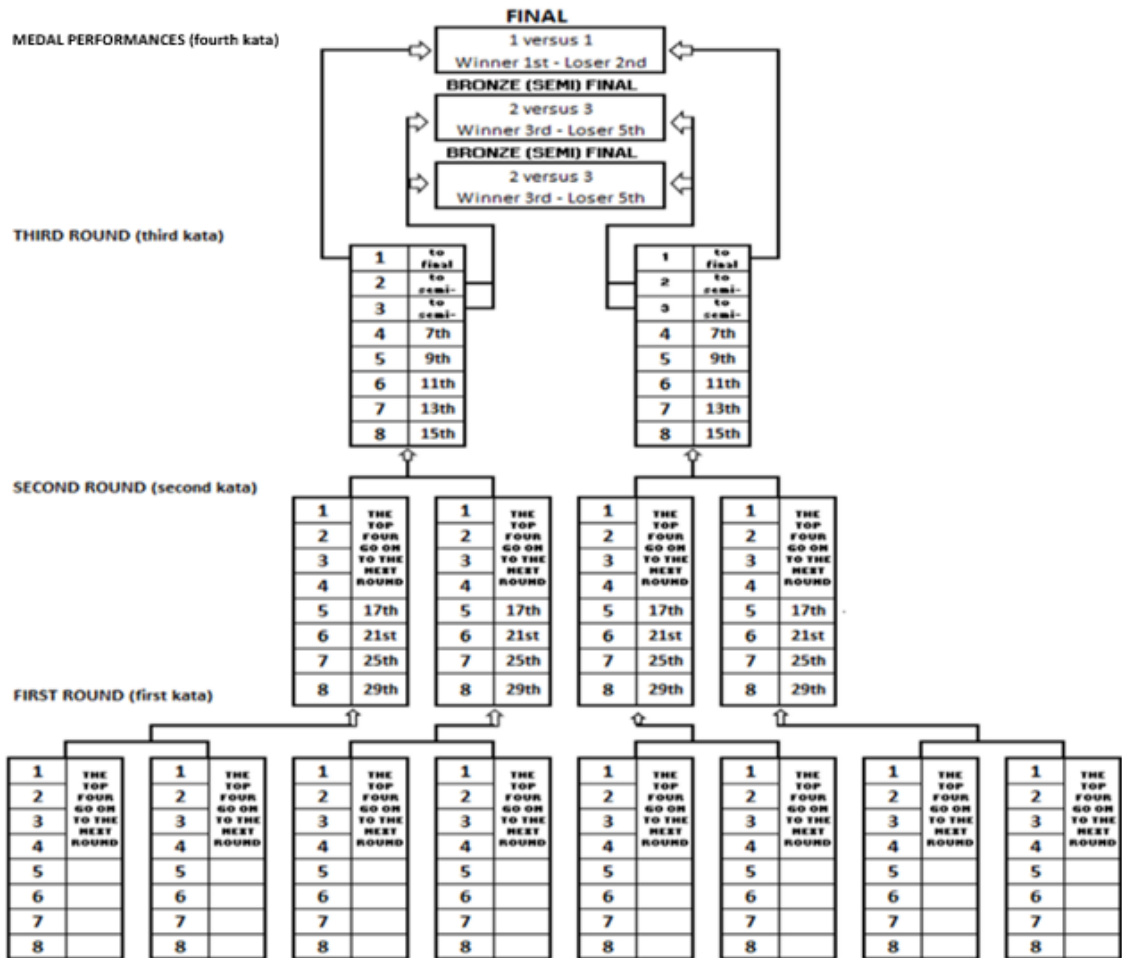
- 5.5.1 Individual Competitors that do not present themselves when called, or decide not to continue, will be disqualified (KIKEN) from that category. Disqualification by KIKEN means that the Competitors are disqualified from that category.

5.6 Groups with 8 Competitors Elimination System

- 5.6.1 The number of Competitors will determine the number of groups to facilitate the elimination rounds. The following table summarise the number of pools and groups according to number of Competitors:

Number of Competitors	Number of groups	Number of Kata performed to win	Competitors in the second round
2	1	1	Zero (No second round)
3	1	2	Medal Bout (only for gold)
4	2	2	Medal Bout (only for gold)
5 to 10	2	2	Medal Bout
11 to 24	2	3	8 Competitors
25 to 48	4	4	16 Competitors
49 to 96	8	4	32 Competitors

- 5.6.2 Groups of eight (with the exceptions explained for less than 11 or more than 96) and for each round reduce the number of Competitors per group to 4 passing on to the next round – until only two groups of Competitors remains, whereupon the Competitors with the highest score in each of the two respective groups are pitted against each other competing for 1st place (the loser taking 2nd place) and the Competitors having the second highest score in each of the two groups are pitted against the third highest score in the other group to compete for the two 3rd places (bronze finals).
- 5.6.3 In the event that there are 2 Competitors a single kata is performed to determine 1st and 2nd place.
- 5.6.4 With 3 competitors one group is formed for the first round and the first two athletes meet to compete for 1st and 2nd place and the 3rd athlete is automatically placed 3rd.
- 5.6.5 With 4 competitors two groups of two are formed for the first round and the two winners meet to compete for 1st while the two losers are placed 3rd.
- 5.6.6 With 5-10 competitors two groups and the three highest scoring of each group go on to medal matches. The group will then follow the normal procedure that the highest scoring Competitor for each group will compete for 1st and 2nd place - and number 2 will meet number 3 from the other group and vice versa – unless there is only 5 Competitors total – in which case the number 2 competitor in the larger group will win his/her 3rd place on bye (walk-over).
- 5.6.7 If the number of competitors is 11-24, two groups are formed. After the first Kata the 4 top competitors form two groups of four after which the second Kata will determine the ranking for the 6 competitors (3 from each group) that will proceed to compete in the third round for the medals in the normal manner.
- 5.6.8 If the number of competitors is 25-48, four groups are formed. After the first Kata the top 4 competitors from each group will pass to the second round. In the second round, 16 Competitors are divided in 2 groups in 2 Tatami (8 Competitors for each group) and the second Kata will be performed. After the second round the 4 best competitors for each group (eight in total) will pass to the third round. In the third round, these 8 Competitors are divided into 2 groups (4 contestants for each group) and perform the third Kata. After the third round the 3 best competitors of each group will pass to the medal bouts, performing the fourth Kata.
- 5.6.9 The following table illustrates the competition format:



5.6.10 The Medal performances: The winners of the two pools compete for gold and silver. Number 2 in one of the last two groups pool will then meet number 3 in the other of the last two groups for to compete for the two bronze medals.

5.6.11 The losers of the bronze finals will place 5th.

5.7 Kata competition for those under 16 years of age

5.7.1 There are no specific deviations from the standard rules, but a limitation to the Kata list to less advanced Kata may be used.

ARTICLE 6: THE JUDGING PANEL

- 6.1 For all official WKF competitions the panel of seven Judges for each round will be designated by random selection deploying a computer program.
- 6.2 However, for competitions not counting for WKF World Ranking or Olympic standing, the number of Judges may be reduced to 5 – still eliminating the highest and lowest score.
- 6.3 The same panel of Judges must be deployed for all Competitors in a group for any single round - or group in Round-robin.
- 6.4 For medal bouts, none of the Judges may have the same nationality, as the competitors or have any other kind of conflict of interest such as same country of residency, family ties including in-laws or athlete/coach relationship.
- 6.5 For each mat, one Judge is designated as the Chief Judge and will assume the lead in conducting any required communication with the Software technician and handle any unanticipated issue among the Judges.
- 6.6 Judges-deployment and panel allocation for the eliminatory rounds: The RC Secretary will facilitate to the Software technician handling the electronic drawing system a list containing the Judges available per Tatami. This list is done by the RC Secretary once the Competitors draw is finished and at the end of the Referees' briefing. This list must only contain Judges present at the briefing and must comply with the above-mentioned criteria. Then for the Judges' draw the Software Technician will enter the list in the system and seven Judges out of each Tatami deployment will be randomly selected as judging panel.
- 6.7 For medal performances the Tatami Managers will provide the RC Chairman and the RC Secretary with a list containing available officials from their own Tatami after the last performance of the eliminatory round is finished. Once the list is approved by the RC Chairman, it will be given to the Software Technician for it to be entered into the system. The system will then randomly allocate the Judging panel, which will only contain the seven Judges.
- 6.8 As found expedient, the Announcer and the Software Technician operating the electronic judging system may be the same person.
- 6.9 Furthermore, the organisers have to provide Runners for each competition area familiar with the WKF Kata list to collect and record the chosen Kata of the Competitors before each round and bring the listing to the Software technician. The Tatami Manager is responsible for overseeing the operation of the Runner(s).

ARTICLE 7: SCORING

7.1 Official Kata list

- 7.1.1 Only Kata from the WKF official Kata list may be performed. The official kata list is found in APPENDIX 1.
- 7.1.2 Names of some Kata are duplicated due to the variations customary in spelling in Romanization. In several instances a Kata may be known under a different name from style (Ryu-ha) to style - and in exceptional instances an identical name may in fact be a different Kata from style to style.

7.2 Assessment

- 7.2.1 The performance is evaluated from the bow starting the Kata until the bow ending the Kata.
- 7.2.2 Slight variation as taught by the Competitor's style (Ryu- Ha) of Karate will be permitted.
- 7.2.3 Deviations may be acceptable due to the type of impairment.
- 7.2.4 Alterations may serve as alternatives for non-executable techniques (for example, hand techniques or raising the wheelchair, instead of kicks, for Wheelchair Athletes, Hikite to wheelchair wheel instead of to hip, etc.). Turns may be used instead of jumps, for Athletes of all Classes.
- 7.2.4 Kata must have recognizable content and characteristics of the original kata.
- 7.2.5 Competitors from the Intellectually Impaired category (Sport Classes K21 and K22) may perform the same Kata in each round; thus, repetition of the Kata is allowed. All other Sport Classes (K10 and K30) must perform a different Kata in each round – unless the Kata is performed as a tiebreaker. Only Kata listed in the official Kata list are permitted.

7.3 Point system

- 7.3.1 Performances are given a score using a scale from 5.0 to 10.0 in increments of 0.1 - where 5.0 represents the lowest score possible for a Kata that is accepted as performed - and 10.0 represents a perfect performance. A disqualification is indicated by a 0.0 score.
- 7.3.2 The Compensation Score (Extra Points) issued by the Classification Panel will then be added to the Judges' Score, to adjust for how the Athlete's Impairment affects Kata performance (as described in the WKF Para Karate Classification Rules).
- 7.3.3 The system will eliminate the highest and lowest scores:

JUDGE 1	JUDGE 2	JUDGE 3	JUDGE 4	JUDGE 5	JUDGE 6	JUDGE 7	EXTRA SCORE	TOTAL
7.6	7.6	8.2	7.7	7.5	7.8	8.1	1.2	40

7.4 Score levels

7.4.1 For the purpose of uniform application of the scale used in scoring the following guideline applies:

- 10 Perfect Perfection of performance
- 9 - 9.9 Excellent World class medal competition
- 8 - 8.9 Very good High level international competition
- 7 - 7.9 Good Expected level for international competition
- 6 - 6.9 Acceptable Performed without distinction
- 5-5.9 Insufficient Performed with discrepancies
- 0 Disqualified

7.5 Resolving ties

7.5.1 Ties are resolved by the following steps to determine the winner:

1. The one having the highest score when including also the lowest score obtained in the performance between the two Competitors (Results given by 6 of the 7 Judges).
2. The one having the highest score including both the lowest and highest score obtained in the performance between the two Competitors (Results given by all 7 Judges).
3. Highest World Ranking at the date of the competition.
4. Coin toss (random selection).

7.6 Criteria for evaluation

Kata Performance	Technical performance specification according to the sport class
<ol style="list-style-type: none">1. Stances2. Techniques3. Transitional movements4. Timing and synchronisation5. Correct breathing6. Focus (KIME)7. Conformance: Consistence in the performance of the KIHON8. Strength9. Speed10. Balance	<ol style="list-style-type: none">1. Visually Impaired Athletes (K10) – space orientation and embusen (line of the performance) of the kata2. Intellectually Impaired Athletes (K21-22) - fluidity of techniques3. Physically Impaired Athletes (K30) - skill, control, and manoeuvrability of the wheelchair

7.7 Fouls

The following fouls, if apparent, must be considered:

1. Minor loss of balance.
2. Asynchronous movements, such as delivering a technique before the body transition is completed.
3. Use of audible cues (from any other person, including other team members) or theatrics such as stamping the feet, slapping the chest, arms, or Karategi, or inappropriate exhalation, must be considered very serious fouls by the Judges in their evaluation of the

performance of the Kata – on the same level as one would penalize a temporary loss of balance.

4. Belt coming loose to the extent that it is coming off the hips during the performance.
5. Blindfolds coming off the face and uncovering one or both eyes during the performance.
6. Other equipment, such as leg straps or sports glasses falling off their proper places during the performance.
7. Time wasting, including prolonged marching, excessive bowing or prolonged pause before starting the performance.
8. A distinct pause or stop in the performance.
9. A clear loss of balance causing a fall or recovery step.

7.8 Disqualification

A Competitor may be disqualified for any of the following reasons:

1. Not announcing the kata, announcing the wrong kata – or performing another kata than pre-announced to the official table.
2. Failing to bow at the beginning and completion of the Kata performance.
3. Not starting the Kata facing the Judges.
4. Omitting or adding movements - or otherwise substantially change the performance from its original form.
5. Belt falling off during the performance.
6. Blindfolds falling off the face and uncovering one or both eyes during the performance.
7. Failure to follow the instructions of the Chief Judge or other misconduct (SHIKKAKU).
8. Use of the non-affected leg during the wheelchair kata (K30) performance.
9. Coach instructions during the kata performance.
10. Use of the different equipment that was used and approved during the classification session.
11. Misrepresentation of the disability during the classification session.

Reasons for disqualification in the evaluation should be treated with care, as some clinical conditions can cause or influence certain behaviours, or problems may occur.

The Judges should be given the possibility of a meeting (Shugo) here, without necessarily resulting in a consequence. The Para Karate Commission can offer assistance at such times.

7.9 Excessive celebration and political or religious demonstrations

- 7.9.1 Competitors are expected to respect the ceremony of salutations before and after the performance. Any excessive celebration, such as falling on one's knees etc., or political or religious expressions, during or immediately after the performance is, prohibited and will be subject to a fine equal to the amount determined by the EC for the protest fee. The Tatami Manager or Chief Referee will notify the official table.

ARTICLE 8: OPERATION OF MATCHES

- 8.1 In the Eight-Group Elimination System the Competitors are assigned in groups of eight (or maximum 12) per competition area divided by two pools.
- 8.2 Before each round the Competitors must submit their chosen Kata to the assigned Runners who will relay the information to the Software Technician of the electronic judging system. The sequence of performance within a group is randomly determined with the exception of any applicable seeding in the first round of elimination.
- 8.3 At the start of each round the Competitors will line up at the match area perimeter facing the Judges. (A round is to be understood as one performance of all the Competitors of a group.) Following the bows, initially "SHOMEN NI REI" - and subsequently; "OTAGAI NI REI", the Competitors will then step back out of the Match Area.
- 8.4 When called, each Competitor will step up to the starting point for the Kata facing the Judges.
- 8.5 The Competitor may be guided to the line of the tatami by one Accompanying Person (Coach or Assistant). The Competitor will then move to the starting position by himself/herself, within the perimeter of the Competition Area; the Accompanying Person will not be allowed to enter the perimeter of the Competition Area.
- 8.6 The starting point for the performance is anywhere within the perimeter of the competition area.
- 8.7 After the bow the Competitor must announce clearly the name of the Kata that is to be performed and then start the performance.
- 8.8 At the end of the performance, which is defined as the final bow in the Kata, the Competitor(s) must wait for the announcement of the evaluation, bow, and then leave the Tatami.
- 8.9 At the end of each group all the Competitors of that group will line up - and the operator (speaker) will announce the top Competitors that will pass to the next round. The name of the top four will be shown on the monitor. The Competitors will then bow and leave the mat.

ARTICLE 9: OFFICIAL PROTEST

9.1 General provisions

- 9.1.1 No one may protest about a Judgement to the members of the Refereeing Panel.
- 9.1.2 If a Refereeing procedure appears to contravene the rules, the Competitor's Coach or his/her official representative are the only ones allowed to make a protest.
- 9.1.2 The protest will take the form of a written report submitted immediately after the performance in which the protest was generated. The sole exception is when the protest concerns an administrative malfunction.
- 9.1.3 Any protest concerning application of the rules must not necessarily impede the progression of the competition and the intent to protest should be announced by the Coach or NF representative immediately after the end of the performance.
- 9.1.4 The Coach / NF representative will request the official protest form (APPENDIX 2) from the Tatami Manager and will be expected to have it completed, signed, and delivered to the Tatami Manager with the corresponding fee within 5 minutes after announcing the intent to protest.
- 9.1.5 Failure of a Coach / NF representative to deliver a protest in a timely manner can lead to its rejection if such delay, in the opinion of the Appeals Jury, is without reasonable justification and impedes the progression of the competition.
- 9.1.6 The Tatami Manager will immediately add in the names of the officials and hand the completed protest form to a representative of the Appeals Jury. The Appeals Jury will without delay review the circumstances leading to the protested decision. Having considered all the facts available, they will produce a report, and shall be empowered to take such action as may be called for. The protest will be reviewed by the Appeals Jury and as part of this review, the Jury will study the evidence available in support of the protest.
- 9.1.7 The protest may also be directly decided and announced to the Appeals Jury by the RC Chairman or the Chief Referee of the event, in which case no payment of a protest fee will be applicable.
- 9.1.8 In case of an administrative malfunction during a performance in progress, the Coach can notify the Tatami Manager directly. In turn, the Tatami Manager will notify the Chief Judge.
- 9.1.9 The protest must give the name and country of the Competitors, the Judges officiating, and the precise details of what is being protested. No general claims about overall standards will be accepted as a legitimate protest. The burden of proving the validity of the protest lies with the complainant. The protest must be submitted to a representative of the Appeals Jury by the Tatami Manager. In due course the Jury will review the circumstances leading to the protested decision.
- 9.1.10 The complainant must deposit a Protest Fee as agreed by the WKF EC, and this, together with the protest must be lodged with the Tatami Manager who will turn it over to a representative of the Appeals Jury.

- 9.1.11 Any protest should be announced by the Coach or NF representative immediately after the end of the performance.
- 9.1.12 The decision of the Appeals Jury is final and may only be overruled by a decision of the Executive Committee upon request of the WKF President.
- 9.1.13 The Appeals Jury may not impose sanctions or penalties. Their function is to pass judgment on the merit of the protest to start required actions from the RC and OC to take remedial action to rectify any Refereeing procedure found to contravene the rules.
- 9.1.14 If the protest involves competitors in an ongoing category, then the next round that could involve the athlete must be postponed until the appeal is decided.

9.2 Composition of the Appeals Jury

- 9.2.1 The Appeals Jury is comprised of three Senior Referee representatives appointed by the Referee Commission (RC) or the Chief Referee. No two members may be appointed from the same National Federation. They will be numbered from 1 to 3.
- 9.2.2 The RC will also appoint three additional members with designated numbering from 4 to 6 that automatically will replace any of the originally appointed Appeals Jury members in a conflict-of-interest situation. I.e., where the jury member is of the same nationality or have a family relationship by blood or as an In-Law with any of the parties involved in the protested incident, including all members of the Refereeing panel involved in the protested incident.

9.3 Appeals Evaluation Process

- 9.3.1 It is the responsibility of the Tatami Manager receiving the protest to gather the Appeals Jury and deposit the protest sum with WKF for any declined protest.
- 9.3.2 The Appeals Jury will immediately make such inquiries and investigations, as they consider necessary to validate the merit of the protest.
- 9.3.3 Each of the three members is obliged to give his/her verdict as to the validity of the protest. Abstentions are not acceptable.

9.4 Declined and accepted protests

- 9.4.1 If a protest is found invalid, the Appeals Jury will appoint one of its members to verbally notify the protestee that the protest has been declined, mark the original document with the word "DECLINED", have it signed by each of the members of the Appeals Jury, and inform the protestee of the decision.
- 9.4.2 If a protest is accepted, the appeals Jury will liaise with the Organising Commission (OC) and Chief Referee to take such measures as can be practically carried out to remedy the situation including the possibilities of:
- Reversing previous judgments that contravene the rules
 - Voiding results of the affected rounds from the point before the incident
 - Redoing such performances that have been affected by the incident
 - Issuing a recommendation to the RC for any involved Judges evaluated for sanction

9.4.3 The responsibility rests with the Appeals Jury to exercise restraint and sound judgment in taking actions that will disturb the program of the event in any significant manner. Reversing the process of the eliminations is a last option to secure a fair outcome.

9.4.4 If the protest is accepted, the Appeals Jury will appoint one of its members who will verbally notify the protestee that the protest has been accepted, mark the original document with the word "ACCEPTED", and have it signed by each of the members of the Appeals Jury, before depositing the protest with the Chief Referee, and returning the protest fee to the protestee.

9.5 Incident Report

9.5.1 After handling the incident in the above prescribed manner, the Appeals Jury will meet again and elaborate a simple protest incident report, describing their findings and state their reason(s) for accepting or rejecting the protest.

9.5.2 The report should be signed by all three members of the Appeals Jury and submitted to the Chief Referee and the Organising Commission.

ARTICLE 10: LOCAL ADAPTATION OF RULES

- 10.1 Local adaptations of the Kata rules are allowed for national competitions as long as these adaptations do not provide advantage or disadvantage for particular styles of karate.

ARTICLE 11. REGISTRATION AND ACCREDITATION OF ATHLETES

- 11.1 Para Karate Athletes must be at least 16 years of age.
- 11.2 All Athletes must be registered through their National Federations.
- 11.3 Each National Federation may register a maximum of three (3) Para Karate Athletes per Sport Class.
- 11.4 Registration must be made through the WKF online registration system.
- 11.5 Registration forms and all supporting documents, including Medical Diagnostic Forms (MDFs), and any Therapeutic Use Exemption (TUE) Forms approved by the National Anti-Doping Organization, Atlanto-Axial screening information sheet (only for athletes with Down syndrome), Athlete Evaluation Consent Form, must be uploaded to the WKF online registration system.
- TUEs must have been previously submitted to and approved by the corresponding National Anti-Doping Organization before submission to the WKF Anti-Doping Manager.
 - To be considered eligible to compete as an athlete with an intellectual disability, **athletes must fulfil the full international eligibility criteria as defined by World Intellectual Impairment Sport (VIRTUS). Only athletes listed on VIRTUS master list will be eligible to compete in WKF World Para karate Championships and VIRTUS Sanctioned or Promoted Championships.** (More information about the eligibility process can be found in “Applying for athlete eligibility VIRTUS guidelines”.) This only applies to events and Championships organized by the WKF.
- 11.6 Coaches must fulfil all requirements as established through the WKF Rules and Regulations, e.g., they will need to have at least the WKF-Certified Kata Coach License for the World Championships. Specific requirements will be published in the bulletin for each event.
- 11.7 One Personal Assistant may be registered per Athlete. The Assistant will receive accreditation, which will be given to the Athlete’s Coach or Coach Representative during the Para Karate Coaches’ Briefing.
- 11.8 All registrations will initially remain as “pending”, subject to a medical expert reviewing the entry (within two days maximum).
- 11.9 One responsible person of the Athletes’ National Federation must collect the Athlete’s accreditation at the accreditation room, within the established date and time.
- 11.10 After registration, the Classification Session of the Para Athletes will take place to determine Sport Class, Classification Status and Compensation Score. All Athletes are required to appear in the Classification Session. For further information regarding Classification, see the WKF Para Karate Classification Rules.
- 11.11 Athletes who have been disqualified, suspended or sanctioned for any reason will not be eligible to compete.

ARTICLE 12 ANTI-DOPING AND DOPING CONTROL

- 12.1 The World Anti-Doping Agency (WADA) Anti-Doping Code and Prohibited List are applicable to all WKF Competitions. Para Karate Athletes, Coaches, Personal Assistants and other Support Personnel must be familiar with these documents and abide by their standards at all times. Doping Control may occur at any point during Competition; Athletes are expected to comply with all Doping Control procedures.
- 12.2 Non-cooperation with Anti-Doping rules and/or with Doping Control is a serious offense, and the Athlete will be disqualified from the competition and subject to further sanctions from the WKF Anti-Doping Commission.

APPENDIX 1: OFFICIAL KATA LIST

1	Anan	35	Jiin	69	Passai
2	Anan Dai	36	Jion	70	Pinan Shodan
3	Ananko	37	Jitte	71	Pinan Nidan
4	Aoyagi	38	Juroku	72	Pinan Sandan
5	Bassai	39	Kanchin	73	Pinan Yondan
6	Bassai Dai	40	Kanku Dai	74	Pinan Godan
7	Bassai Sho	41	Kanku Sho	75	Rohai
8	Chatanyara Kusanku	42	Kanshu	76	Saifa
9	Chibana No Kushanku	43	Kishimono No Kushanku	77	Sanchin
10	Chinte	44	Kousoukun	78	Sansai
11	Chinto	45	Kousoukun Dai	79	Sanseiru
12	Enpi	46	Kousoukun Sho	80	Sanseru
13	Fukyugata Ichi	47	Kururunfa	81	Seichin
14	Fukyugata Ni	48	Kusanku	82	Seienchin (Seiyunchin)
15	Gankaku	49	Kyan No Chinto	83	Seipai
16	Garyu	50	Kyan No Wanshu	84	Seiryu
17	Gekisai (Geksai) 1	51	Matsukaze	85	Seishan
18	Gekisai (Geksai) 2	52	Matsumura Bassai	86	Seisan (Sesan)
19	Gojushiho	53	Matsumura Rohai	87	Shiho Kousoukun
20	Gojushiho Dai	54	Meikyo	88	Shinpa
21	Gojushiho Sho	55	Myojo	89	Shinsei
22	Hakusho	56	Naifanchin Shodan	90	Shisochin
23	Hangetsu	57	Naifanchin Nidan	91	Sochin
24	Haufa (Haffa)	58	Naifanchin Sandan	92	Suparinpei
25	Heian Shodan	59	Naihanchi	93	Tekki Shodan
26	Heian Nidan	60	Nijushiho	94	Tekki Nidan
27	Heian Sandan	61	Nipaipo	95	Tekki Sandan
28	Heian Yondan	62	Niseishi	96	Tensho
29	Heian Godan	63	Ohan	97	Tomari Bassai
30	Heiku	64	Ohan Dai	98	Unshu
31	Ishimine Bassai	65	Oyadomari No Passai	99	Unsu
32	Itosu Rohai Shodan	66	Pachu	100	Useishi
33	Itosu Rohai Nidan	67	Paiku	101	Wankan
34	Itosu Rohai Sandan	68	Papuren	102	Wanshu

In reporting the kata to be performed use the designated number. Should there be inconsistency between the number and the name of the kata, the number will be considered the reported kata to be performed.

WKF OFFICIAL PROTEST FORM

KATA



The protest must be prepaid

DATE	COMPETITION	PLACE
..... / /		

NAME OF THE COMPETITOR	COUNTRY

PROTEST DESCRIPTION

To be continued on the other side of this page

NAME		Valid as receipt by the WKF
SIGNATURE		

FOR OFFICIAL USE ONLY

TATAMI N°			TM Manager:				
PANEL	Judge 1	Judge 2	Judge 3	Judge 4	Judge 5	Judge 6	Judge 7
NAME							
COUNTRY							